



# Scenic Winch D250

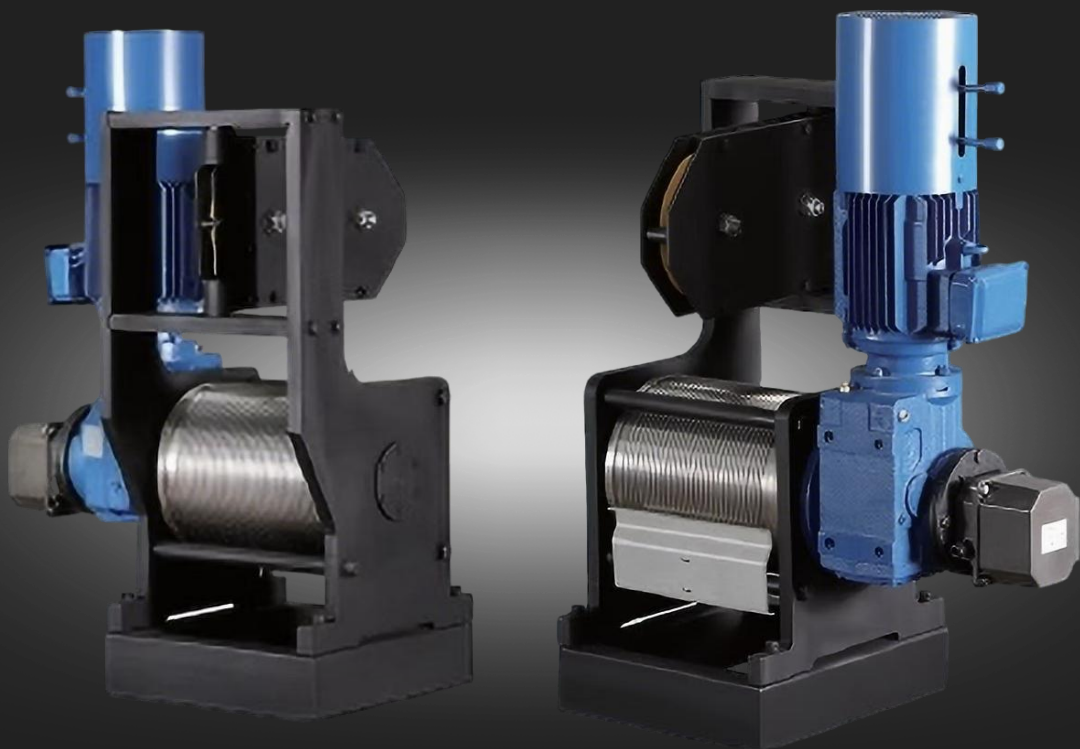
GST Winch Series



EQUIPMENT & SOLUTION WORLDWIDE

# GST Gear Scenic Winch D250

- GST Gear provides turnkey solution for your equipment needs
  - Effectively designed that provides high precision and safety factor
  - Competitive pricing worldwide without downgrading functionality and practicality
  - Flexibility in professional customization for your production and venue needs
- 
- 3P Asynch/Induction Gear Motor
  - Effective Travel: 21m/68.9ft (and above upon request)
  - Motor Power: 2.2kw
  - Dual Brake
  - Dual Encoder: Incremental 1024TTL and Absolute Biss C



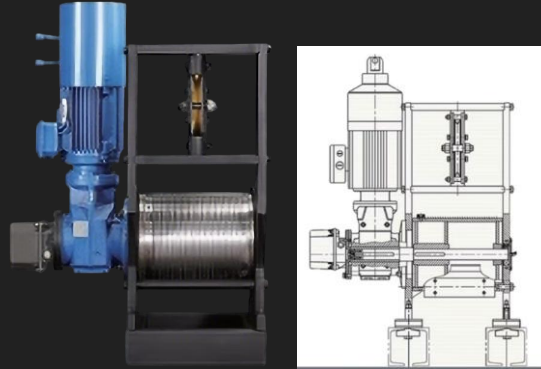
# GST Gear Scenic Winch D250

- 4 Gear Rotary Limit Switch
- Optional S Beam Load Cell and Transducer
- Brake Monitoring: MicroSwitch
- Contact Plate: Drum Side for Slack and Cross Groove Detection
- Payload: 250kg/551lbs (and above per customizable)
- Speed: 0-0.6m/s or 0-2ft/s
- Gear Ratio: 32
- Output Speed: 45rpm
- Output Torque: 420Nm
- Gear Motor Weight: 68kg/150lbs
- Total Winch: 220kg/485lbs
- SWR: 8mm 18x7 FC-1770
- Input Voltage: 3P 480VAC/380VAC
- Brake Voltage: 215VDC from Rectifier
- Color: Black or per Customizable
- Size (mm/inch): 736Lx507Wx1101H or 29inLx20inWx43inH





# GST Gear Scenic Winch D250



[shop.gstgr.com](https://shop.gstgr.com)

## Contact



1-702-881-8880



[info@gstgr.com](mailto:info@gstgr.com)



Location: Las Vegas – Corpus Christi – Beijing



SAT in Process

Products sold by GST Gear LLC are intended for professional use only. Improper use may result in serious injury or equipment failure.

[View Terms & Disclaimers.](#)